

# *Hampton Bay Lifetime Limited Warranty*

**\*The retailer warrants the fan motor to be free from defects in workmanship and material present at time of shipment from the factory for a lifetime after the date of purchase by the original purchaser.** The retailer also warrants that all other fan parts, excluding any glass or Plexiglas blades, to be free from defects in workmanship and material at the time of shipment from the factory for a period of one year after the date of purchase by the original purchaser. We agree to correct such defects without charge or at our option replace with a comparable or superior model if the product is returned to the retailer. To obtain warranty service, you must present a copy of the receipt as proof of purchase. All costs of removing and reinstalling the product are your responsibility. Damage to any part such as by accident or misuse or improper installation or affixing any accessories, is not covered by this warranty. Because of varying climatic conditions in the United States this warranty does not cover any changes in brass finish, including rusting, pitting, corroding, tarnishing or peeling. Brass finishes of this type give their longest useful life when protected from varying weather conditions. A certain amount of "wobble" is normal and should not be considered a defect. Servicing performed by unauthorized persons shall render the warranty invalid. **There is no other express warranty.** The retailer hereby disclaims any and all warranties, including but not limited to, those of merchantability and fitness for a particular purpose to the extent permitted by law. The duration of any implied warranty which cannot be disclaimed is limited to the time period as specified in the express warranty. Some states do not allow limitation on how long an implied warranty lasts, so the above limitation may not apply to you. **The retailer shall not be liable for incidental, consequential, or special damages arising out of or in connection with product use or performance except as may otherwise be accorded by law.** Some states do not allow the exclusion of incidental or consequential damages, so the above exclusion or limitation may not apply to you. This warranty gives specific legal rights, and you may also have other rights which vary from state to state. This warranty supersedes all prior warranties. Shipping costs for any return of product as part of a claim on the warranty must be paid for by the customer.

Date Purchased \_\_\_\_\_

Store Purchased \_\_\_\_\_

UL Model No. 48-TP

Serial No. \_\_\_\_\_

Vendor No. 11688

UPC 082392400934 (Combo)

082392400996(Oil Rubbed Bronze)

## *Lifetime Limited Warranty*

*(Lifetime warranty on motor)*

Safety Rules .....	Page 1
Unpacking Your Fan .....	Page 2
Installing Your Fan .....	Page 3
Operating Your Fan .....	Page 9
Care of Your Fan.....	Page 10
Troubleshooting .....	Page 11
Specifications .....	Page 12

## *Table of Contents*

## READ AND SAVE THESE INSTRUCTIONS

1. To reduce the risk of electric shock, insure electricity has been turned off at the circuit breaker or fuse box before beginning.
2. All wiring must be in accordance with the National Electrical Code "ANSI/NFPA 70-1999" and local electrical codes. Electrical installation should be performed by a qualified licensed electrician.
3. **WARNING :** To reduce the risk of fire or electric shock , do not use this fan with any solid-state speed control device.
4. **CAUTION:** To reduce the risk of personal injury, use only the screws provided with the outlet box.
5. The outlet box and support structure must be securely mounted and capable of reliably supporting a minimum of 35 pounds. Use only UL Listed outlet boxes marked "FOR FAN SUPPORT."
6. The fan must be mounted with a **minimum of 7 feet clearance** from the trailing edge of the blades to the floor.
7. Do not operate reversing switch while fan blades are in motion. Fan must be turned off and blades stopped before reversing blade direction.
8. Avoid placing objects in the path of the blades.
9. To avoid personal injury or damage to the fan and other items, be cautious when working around or cleaning the fan.
10. Do not use water or detergents when cleaning the fan or fan blades. A dry dust cloth or lightly dampened cloth will be suitable for most cleaning.
11. After making electrical connections, spliced conductors should be turned upward and pushed carefully up into outlet box. The wires should be spread apart with the grounded conductor and the equipment-grounding conductor on one side of the outlet box.
12. Electrical diagrams are for reference only. Light kits that are not packed with the fan must be UL Listed and marked suitable for use with the model fan you are installing. Switches must be UL General Use Switches. Refer to the instructions packaged with the light kits and switches for proper assembly.

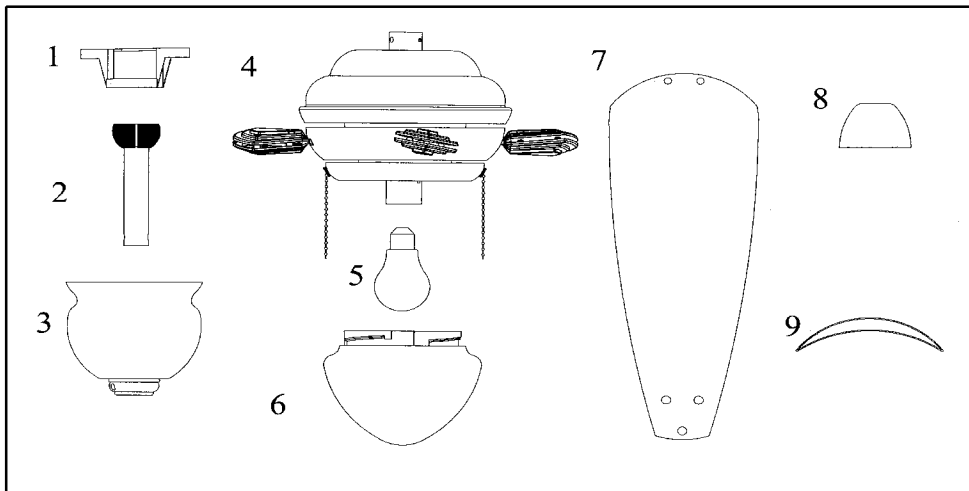
### WARNING

TO REDUCE THE RISK OF FIRE, ELECTRIC SHOCK OR PERSONAL INJURY, MOUNT FAN TO OUTLET BOX MARKED ACCEPTABLE FOR FAN SUPPORT WITH THE SCREWS PROVIDED WITH THE OUTLET BOX.

### WARNING

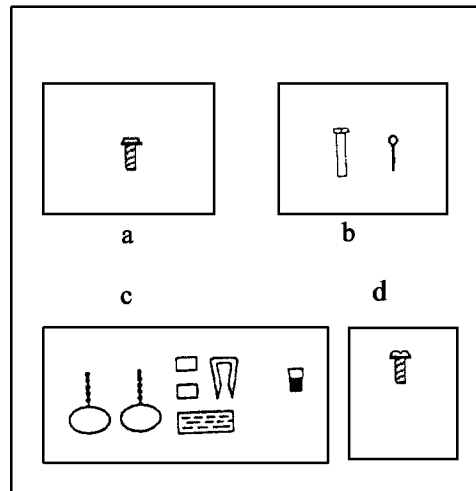
TO REDUCE THE RISK OF PERSONAL INJURY, DO NOT BEND THE BLADE BRACKETS (ALSO REFERRED TO AS "FLANGES") DURING ASSEMBLY OR AFTER INSTALLATION. DO NOT INSERT OBJECTS IN THE PATH OF THE BLADES.

# 1. Safety Rules



Unpack your fan and check the contents. You should have the following items:

- |                              |                                  |
|------------------------------|----------------------------------|
| 1. Slide-On Mounting Plate   | 6. Glass Globe                   |
| 2. Downrod and Ball Assembly | 7. Blades (4)                    |
| 3. Canopy                    | 8. Decorative Motor Collar Cover |
| 4. Fan Motor Assembly        | 9. Blade Accent plates (4)       |
| 5. Bulb (1)                  |                                  |



- a. **Blade accent attachment hardware**  
(8 screws)
- b. **Mounting hardware**  
(1 bolt, 1 clevis pin)
- c. **Electrical hardware & Balancing Kit**  
(3 plastic wire connectors, 2 pull chains, blade balancing kit)
- d. **Extra blade attachment hardware**  
(1 screw)

IMPORTANT: THIS PRODUCT AND/OR COMPONENTS ARE COVERED BY ONE OR MORE OF THE FOLLOWING US PATENTS: 5,947,436; 5,988,580; 5,971,573; 6,010,306; 6,039,541; 6,046,416 AND OTHER PATENTS PENDING.

IMPORTANT  
PLEASE REMOVE CARDBOARDS ON THE BOTTOM OF THE FAN BEFORE INSTALLING BLADES OR TESTING MOTOR

## Unpacking Your Fan 2.

## Tools Required

Phillips screw driver, straight slot screw driver, adjustable wrench, step ladder, and wire cutters.

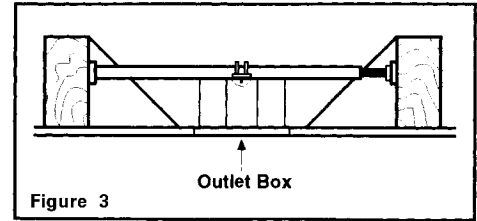
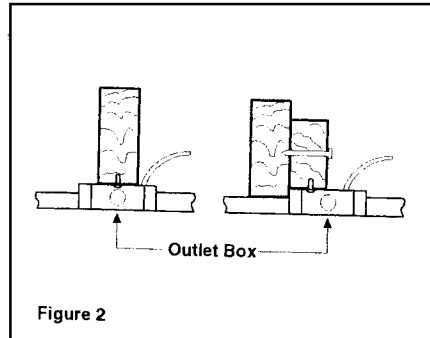
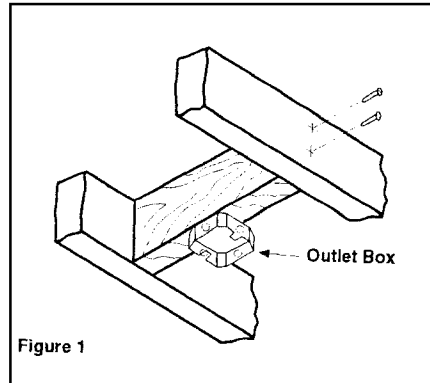
## Mounting Options

If there isn't an existing mounting box, then read the following instructions. **Disconnect the power by removing fuses or turning off circuit breakers.**

Secure the outlet box directly to the building structure. Use appropriate fasteners and building materials. The outlet box and its support must be able to fully support the moving weight of the fan (at least 35 lbs.). **Do not use plastic outlet boxes.**

**WARNING**  
TO REDUCE THE RISK OF FIRE, ELECTRIC SHOCK, OR OTHER PERSONAL INJURY, MOUNT FAN ONLY TO AN OUTLET BOX MARKED ACCEPTABLE FOR FAN SUPPORT AND USE THE MOUNTING SCREWS PROVIDED WITH THE OUTLET BOX. OUTLET BOXES COMMONLY USED FOR THE SUPPORT OF LIGHTING FIXTURES MAY NOT BE ACCEPTABLE FOR FAN SUPPORT AND MAY NEED TO BE REPLACED. CONSULT A QUALIFIED ELECTRICIAN IF IN DOUBT.

Figures 1 and 2 are examples of different ways to mount the outlet box.



To hang your fan where there is an existing fixture but no ceiling joist, you may need an installation hanger bar as shown in Figure 3 (available at your Hampton Bay Retailer).

**NOTE: This fan is designed for the standard ceiling mounting, no angle is allowable when installing on a steep sloped ceiling.**

## 3. Installing Your Fan

# Hanging the Fan

**REMEMBER** to turn off the power. Follow the steps below to hang your fan properly.

**NOTE :** This fan is recommended for the standard ceiling mounting using the downrod with ball and socket mounting. When using standard downrod installation , the distance from the ceiling to the bottom of the light kit will be approximately 20 inches.

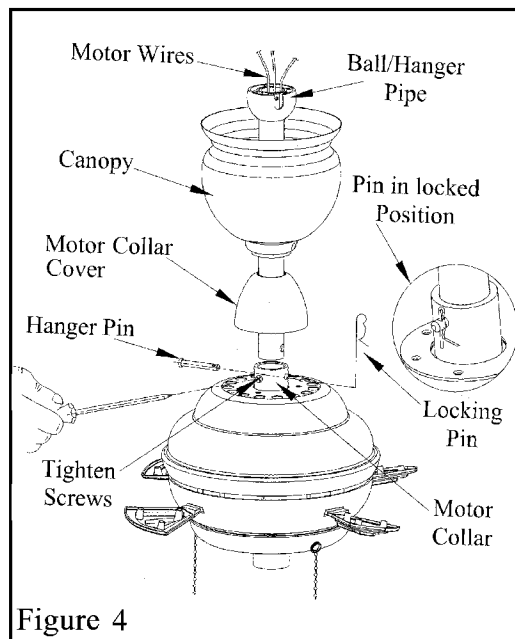
## STANDARD CEILING MOUNTING

1. Route the wires exiting the top of the fan motor through the decorative motor collar cover. Route the wires through the canopy and then through the ball/downrod assembly (Figure 4).
2. Loosen, but do not remove, the set screws on the collar on the top of the motor housing.
3. Align the holes at the bottom of the downrod with holes in the collar on top of the motor housing (Figure 4). Carefully insert the hanger pin through the holes in the collar and downrod. Be careful not to jam the pin against the wiring inside the downrod. Insert the locking pin through the hole near the end of the hanger pin until it snaps into its

locked position as noted in the circle inset of Figure 4.

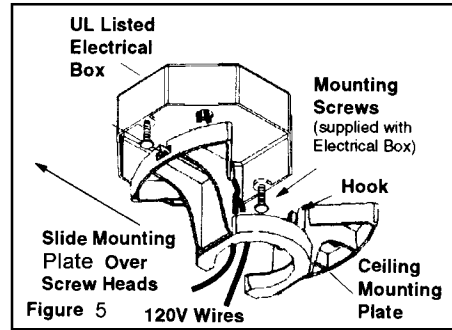
**WARNING**  
**FAILURE TO PROPERLY INSTALL LOCKING PIN AS NOTED IN STEP 3 COULD RESULT IN FAN LOOSENING AND POSSIBLY FALLING.**

4. Re-tighten the set screws on the collar on the top of the motor housing.
5. Make sure the motor collar cover properly seat on the top of the fan motor assembly.



# Installing Fan to the Electrical Box

1. Pass the 120-volt supply wires through the center hole in the ceiling mounting plate as shown in Figure 5.
2. Install the ceiling mounting plate on the electric box sliding the mounting plate over the two screws provided with the outlet box. (Figure 5). If necessary, use leveling washers (not included) between the mounting plate and the electrical box. Note that the flat side of the mounting plate is to be toward the electrical box. (Figure 5)
3. Securely tighten the two mounting screws.
4. Carefully lift the fan assembly up to the ceiling mounting plate. Make sure the tab on the mounting plate socket is properly seated in the groove in the hanger ball.



# Making the Electrical Connections

**REMEMBER** to disconnect the power. If you feel that you do not have enough electrical wiring knowledge or experience, have your fan installed by a licensed electrician.

Follow the steps below to connect the fan to your household wiring. Use the wire connecting nuts supplied with your fan. Secure the connectors with electrical tape. Make sure there are no loose strands or connections.

**Step 1** Connect the two green fan ground wires located on the downrod and mounting bracket to the household ground wire.

**Step 2** Connect the fan light supply (blue) wire and the fan supply (black) wire to the black household supply wire as shown in Figure 6.

**Step 3** Connect the neutral fan (white) wire to the white neutral household wire.

**Step 4** After connecting the wires, spread them apart so that the green and white wires are on one side of the outlet box and the black wire is on the other side.

**Step 5** Turn the wire connecting nuts upward and push the wiring into the outlet box.

## WARNING

TO REDUCE THE RISK OF FIRE OR ELECTRIC SHOCK, DO NOT USE A WALL MOUNTED SOLID STATE SPEED CONTROL WITH THIS FAN. IT WILL PERMANENTLY DAMAGE THE ELECTRONIC CIRCUITRY.

## WARNING

EACH WIRE NUT (WIRE CONNECTOR) SUPPLIED WITH THIS FAN IS DESIGNED TO ACCEPT UP TO ONE 12 GAUGE HOUSE WIRE AND TWO WIRES FROM THE FAN. IF YOU HAVE LARGER THAN 12 GAUGE HOUSE WIRING OR MORE THAN ONE HOUSE WIRE TO CONNECT TO THE FAN WIRING, CONSULT AN ELECTRICIAN FOR THE PROPER SIZE WIRE NUTS TO USE.

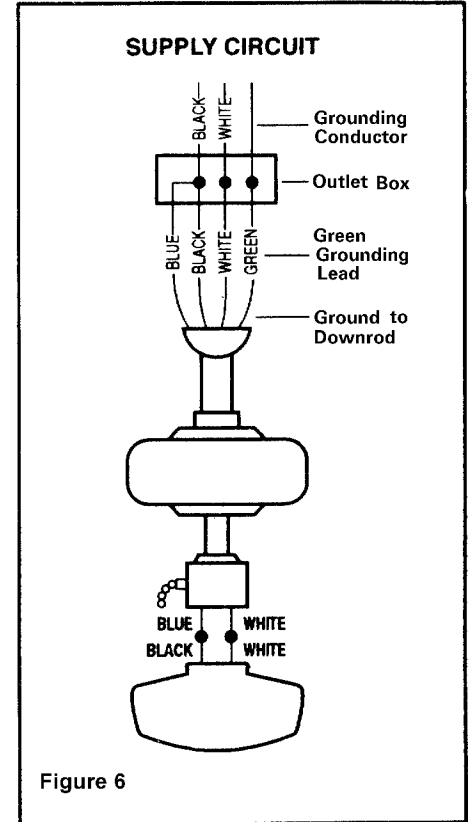


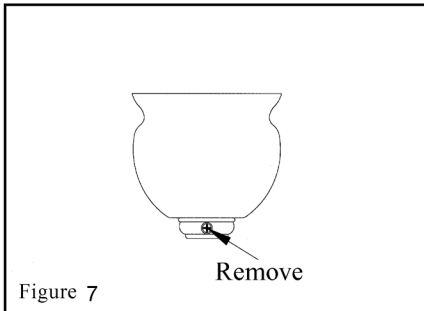
Figure 6



# Finishing the Fan Installation

**WARNING**  
WHEN USING THE STANDARD BALL/DOWNROD MOUNTING, THE TAB IN THE RING AT THE BOTTOM OF THE MOUNTING PLATE MUST REST IN THE GROOVE OF THE HANGER BALL. FAILURE TO PROPERLY SEAT THE TAB IN THE GROOVE COULD CAUSE DAMAGE TO WIRING.

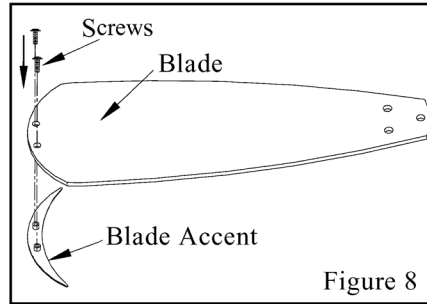
1. Loosening the two screws on the collar of the canopy (Figure 7).
2. Slide the canopy up to the mounting plate and secure the canopy in place by re-tightening the two screws on the collar of the canopy, make sure the canopy fits snugly against the ceiling.
3. You may now proceed to attaching the fan blades.



# Attaching the Fan Blades

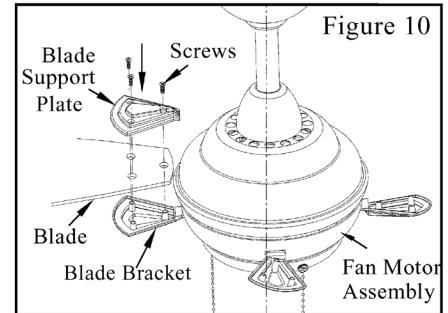
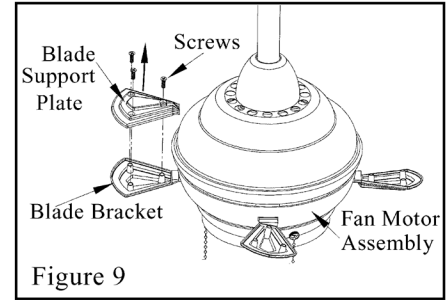
NOTE: Your fan blades are reversible, select the blade side finish which best accentuates your decor.

1. Attach the blade accent to the blade tip by using the screws supplied (Figure 8).



2. Remove the blade support plate from the blade bracket of the fan motor assembly by removing the three screws as shown in Figure 9.
3. Attach the blade to the blade bracket using the support plate and the three screws that were removed in step 2 (Figure 10). Make sure the blade side with the accent plate attached faces toward the floor.

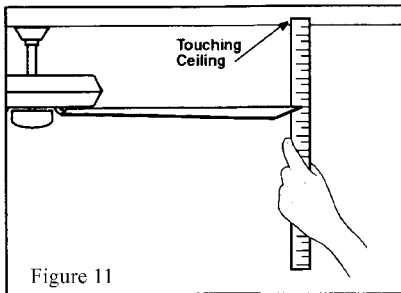
4. Tighten each screw securely.
5. Repeat steps 1, 2, 3 & 4 for the remaining blade / blade bracket assemblies.



All blades are grouped by weight. Because natural woods vary in density, the fan may wobble even though the blades are weight matched.

The following procedure should correct most fan wobble. Check after each step.

1. Check that all blade and blade bracket screws are secure.
2. Most fan wobble problems are caused when blade levels are unequal. Check this level by selecting a point on the ceiling above the tip of one of the blades. Measure from a point on the center of each blade to the point on the ceiling. Measure this distance as shown in Figure 11. Rotate the fan until the next blade is positioned for measurement. Repeat for each blade. Measurements deviation should be within 1/8". Run the fan for 10 minutes.
3. Use the enclosed Blade Balancing Kit if the blade wobble is still noticeable.



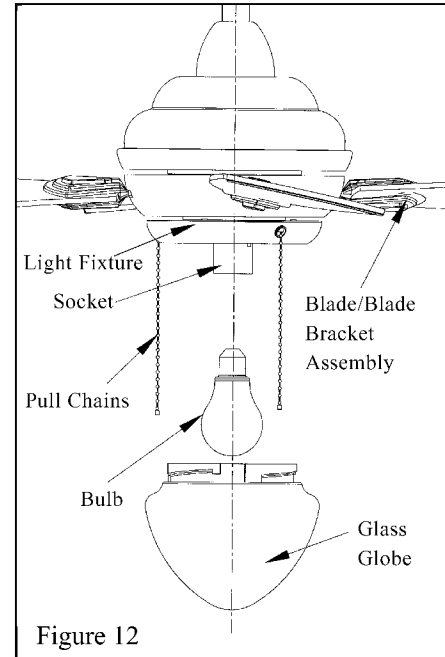
**WARNING**  
TO REDUCE THE RISK OF PERSONAL INJURY, DO NOT BEND THE BLADE HOLDERS WHILE INSTALLING, BALANCING THE BLADES, OR CLEANING THE FAN. DO NOT INSERT FOREIGN OBJECTS BETWEEN ROTATING FAN BLADES.

## Installing the Glass Globe

**REMEMBER** to disconnect the power. THE GLASS IS FRAGILE, USE CARE WHEN INSTALLING THE GLASS GLOBE.

1. With power off, screw a 60-watt (maximum, supplied) med. base bulb into the socket on the light fixture below the fan motor assembly (Figure 12).
2. Place the glass globe into the light fixture plate, aligning the three flat areas on the top flange of the glass globe with the three raised dimples in the light fixture plate then turn the glass globe clockwise until it stops (Figure 12).
3. Attach the two pull chains supplied to the chains from the light fixture (one for fan 3-speed switch and the other for light On/Off switch).

**NOTE: ALLOW THE BULB TO COOL COMPLETELY BEFORE TOUCHING OR REPLACING THE BULBS TO AVOID ACCIDENTAL BURNING OF THE SKIN.**



**NOTE**

**NOTE: WAIT FOR FAN TO STOP BEFORE REVERSING THE DIRECTION OF BLADE ROTATION.**

Speed settings for warm or cool weather depend on factors such as the room size, ceiling height, number of fans, and so on.

**Warm weather** – (Forward) A downward air flow creates a cooling effect as shown in Figure 13. This allows you to set your air conditioner on a higher setting without affecting your comfort.

**Cool weather** – (Reverse) An upward airflow moves warm air off the ceiling area as shown in Figure 14. This allows you to set your heating unit on a lower setting without affecting your comfort.

**WARNING**

**TO REDUCE THE RISK OF PERSONAL INJURY, DO NOT BEND THE BLADE HOLDERS WHILE INSTALLING, BALANCING THE BLADES, OR CLEANING THE FAN. DO NOT INSERT FOREIGN OBJECTS BETWEEN ROTATING FAN BLADES.**

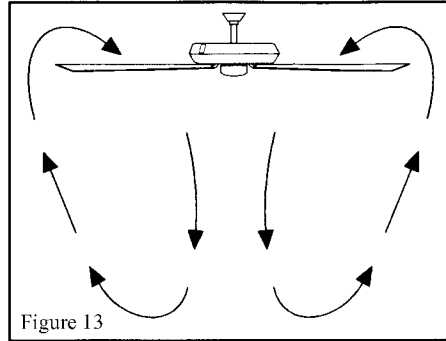


Figure 13

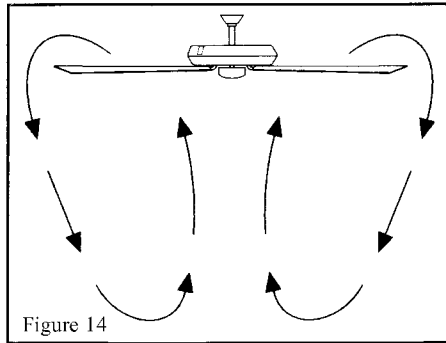


Figure 14

## 9. Operating Your Fan

Here are some suggestions to help you maintain your fan.

1. Because of the fan's natural movement, some connections may become loose. **Check the support connections, brackets, and blade attachments twice a year.** Make sure they are secure. **(It is not necessary to remove fan from ceiling.)**

2. Clean your fan periodically to help maintain its new appearance over the years. Do not use water when cleaning. Use only a soft brush or lint-free cloth to avoid scratching the finish. The plating is sealed with a lacquer to minimize discoloration or tarnishing. This could damage the motor, or the wood, or possibly cause an electrical shock.

3. You can apply a light coat of furniture polish to the wood for additional protection and enhanced beauty. Cover small scratches with a light application of shoe polish.

4. **There is no need to oil your fan.** The motor has permanently lubricated sealed ball bearings.

**WARNING**

**MAKE SURE THE POWER IS OFF AT THE ELECTRICAL PANEL BOX BEFORE YOU ATTEMPT ANY REPAIRS. REFER TO THE SECTION, "MAKING ELECTRICAL CONNECTIONS."**

## *10. Care of Your Fan*

## Problem

## Solution

Fan will not start.

1. Check main and branch circuit fuses or breakers.
2. Check line wire connections to the fan and switch wire connections in the switch housing.  
**CAUTION:** Make sure main power is off.

Fan sounds noisy.

1. Make sure all motor housing screws are snug.
2. Make sure the screws that attach the fan blade bracket to the motor hub are tight.
3. Make sure wire nut connections are not rattling against each other or the interior wall of the switch housing.  
**CAUTION:** Make sure main power is off.
4. Allow a 24-hour “breaking-in” period. Most noises associated with a new fan disappear during this time.
5. If using the Ceiling Fan light kit, make sure the screws securing the glassware are tight. Check that the light bulb is also secure.
6. Make sure the canopy is a short distance from the ceiling.  
It should not touch the ceiling.
7. Make sure your ceiling box is secure and rubber isolator pads were used between the hanger bracket and ceiling box.

*Troubleshooting 11.*

FAN SIZE	SPEED	VOLTS	AMPS	WATTS	RPM	CFM	N.W.	G.W.	C.F.
48"	Low	120	0.25	15	80	1800	17.4 Lbs	20.5 Lbs	1.85
	Med.	120	0.38	33	125	3500			
	High	120	0.52	62	175	5100			

These are approximate measures. They do not include Amps and Wattage used by the light kit.

Distributed by Home Depot U.S.A., Inc.  
2455 Paces Ferry Rd. N.W. Atlanta, Georgia 30339

©2006 Homer TLC, Inc. All Rights Reserved  
Hampton Bay is a registered trademark  
of Homer TLC, Inc.

## *12. Specifications*