

Excel Lighting & Manufacturing Ltd. Lifetime Limited Warranty

* **Excel Lighting & Manufacturing Ltd. Warrants the fan motor to be free from defects in workmanship and material present at time of shipment from the factory for a lifetime after the date of purchase by the original purchaser.** Excel Lighting & Manufacturing Ltd. also warrants that all other fan parts, excluding any glass or plexiglass blades, to be free from defects in workmanship and material at the time of shipment from the factory for a period of one year after the date of purchase by the original purchaser. We agree to correct such defects without charge or at our option replace with a comparable or superior model if the product is returned to Excel Lighting & Manufacturing Ltd. To obtain warranty service, you must present a copy of the receipt as proof of purchase. All costs of removing and reinstalling the product are your responsibility. Damage to any part such as by accident or misuse or improper installation or by affixing any accessories, is not covered by this warranty. Because of varying climatic conditions, this warranty does not cover any changes in brass finish, including rusting, pitting, corroding, tarnishing or peeling. Brass finishes of this type give their longest useful life when protected from varying weather conditions. A certain amount of "wobble" is normal and should not be considered a defect. Servicing performed by unauthorized persons shall render the warranty invalid. **There is no other express warranty. Excel Lighting & Manufacturing Ltd. hereby disclaims any and all warranties, including but not limited to, those of merchantability and fitness for a particular purpose to the extent permitted by law.** The duration of any implied warranty which cannot be disclaimed is limited to the time period as specified in the express warranty. Some states do not allow limitation on how long an implied warranty lasts, so the above limitation may not apply to you. **Excel Lighting & Manufacturing Ltd. shall not be liable for incidental, consequential, or special damages arising out of or in connection with product use or performance except as may otherwise be accorded by law.** Some states do not allow the exclusion of incidental or consequential damages, so the above exclusion or limitation may not apply to you. This warranty gives specific legal rights, and you may also have other rights which vary from state to state. This warranty supersedes all prior warranties. Shipping costs for any return of product as part of a claim on the warranty must be paid by the customer.

Date Purchased _____

Store Purchased _____

CUL Model No. 54-CVT

Serial No. F50001CH

Vendor No. _____

UPC 775379071516

Lifetime Limited Warranty
(Lifetime warranty on motor)

Safety Rules	Page 1
Unpacking Your Fan	Page 2
Installing Your Fan	Page 3
Operating Your Fan	Page 9
Operating Your Remote Control.....	Page 10
Care of Your Fan.....	Page 12
Troubleshooting	Page 13
Specifications	Page 14

Table of Contents

READ AND SAVE THESE INSTRUCTIONS

1. To reduce the risk of electric shock, insure electricity has been turned off at the circuit breaker or fuse box before beginning.
2. All wiring must be in accordance with the National Electrical Code "ANSI/NFPA 70-1999" and local electrical codes. Electrical installation should be performed by a qualified licensed electrician.
3. **WARNING:**To reduce the risk of fire or electric shock, this fan should only be used with fan speed control part no. UC7067RK, manufactured by Rhine Electronic Co. Ltd.
4. **CAUTION:** To reduce the risk of personal injury, use only the screws provided with the outlet box.
5. The outlet box and support structure must be securely mounted and capable of reliably supporting a minimum of 35 pounds. Use only CUL Listed outlet boxes marked "FOR FAN SUPPORT."
6. The fan must be mounted with a **minimum of 7 feet clearance** from the trailing edge of the blades to the floor.
7. Avoid placing objects in the path of the blades.
8. To avoid personal injury or damage to the fan and other items, be cautious when working around or cleaning the fan.
9. Do not use water or detergents when cleaning the fan or fan blades. A dry dust cloth or lightly dampened cloth will be suitable for most cleaning.
10. After making electrical connections, spliced conductors should be turned upward and pushed carefully up into outlet box. The wires should be spread apart with the grounded conductor and the equipment-grounding conductor on one side of the outlet box and ungrounded conductor on the other side of the outlet box.
11. Electrical diagrams are for reference only. Light kits that are not packed with the fan must be CUL Listed and marked suitable for use with the model fan you are installing. Switches must be CUL General Use Switches. Refer to the instructions packaged with the light kits and switches for proper assembly.
12. All set screws must be checked and retightened where necessary before installation.

WARNING

TO REDUCE THE RISK OF FIRE, ELECTRIC SHOCK OR PERSONAL INJURY, MOUNT FAN TO OUTLET BOX MARKED ACCEPTABLE FOR FAN SUPPORT WITH THE SCREWS PROVIDED WITH THE OUTLET BOX.

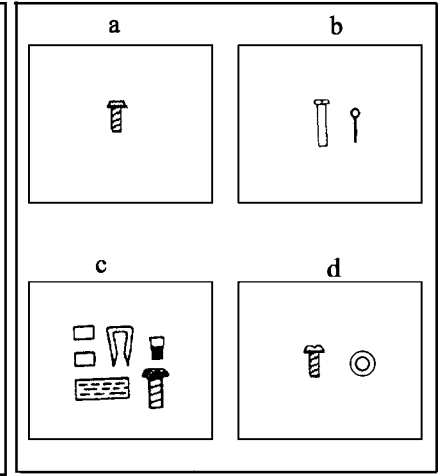
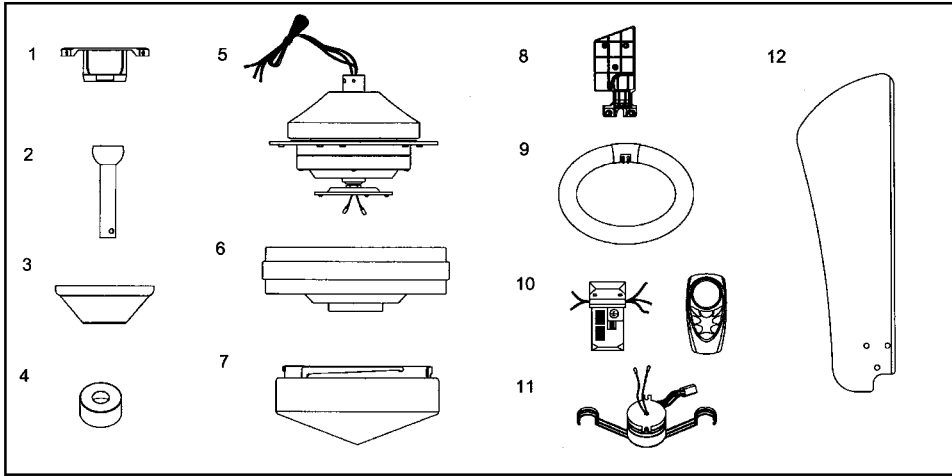
WARNING

TO REDUCE THE RISK OF PERSONAL INJURY, DO NOT BEND THE BLADE BRACKETS (ALSO REFERRED TO AS "FLANGES") DURING ASSEMBLY OR AFTER INSTALLATION. DO NOT INSERT OBJECTS IN THE PATH OF THE BLADES.

WARNING

TO REDUCE THE RISK OF SHOCK, THIS FAN MUST BE INSTALLED WITH AN ISOLATION WALL CONTROL/SWITCH.

1. Safety Rules



Unpack your fan and check the contents. You should have the following items:

- | | |
|-----------------------------------|------------------------|
| 1. Mounting Plate (inside Canopy) | 9. Circline Lamp |
| 2. Downrod and Ball Assembly | 10. Hand Unit/Receiver |
| 3. Canopy | 11. Ballast |
| 4. Decorative Motor Collar Cover | 12. Blade (5) |
| 5. Fan Motor Assembly | |
| 6. Light Kit Assembly | |
| 7. Glass | |
| 8. Blade Bracket Set (5) | |

IMPORTANT: THIS PRODUCT AND/OR COMPONENTS ARE COVERED BY ONE OR MORE OF THE FOLLOWING US PATENTS: 5,947,436; 5,988,580; 5,971,573; 6,010,306; 6,039,541; 6,046,416 AND OTHER PATENTS PENDING.

- | | |
|----|---|
| a. | Blade attachment hardware (15 screws) |
| b. | Mounting hardware (1 hanger pin , 1 locking pin) |
| c. | Electrical hardware & Balancing Kit (3 plastic wire connectors, blade balancing kit, 2 extra mounting screws #10-32 for outlet box.) |
| d. | Blade Bracket hardware (10 screws and lockwashers) |

Unpacking Your Fan 2.

Tools Required

Phillips screw driver, straight slot screw driver, adjustable wrench, step ladder, and wire cutters.

Mounting Options

If there isn't an existing mounting box, then read the following instructions. **Disconnect the power by removing fuses or turning off circuit breakers.**

Secure the outlet box directly to the building structure. Use appropriate fasteners and building materials. The outlet box and its support must be able to fully support the moving weight of the fan (at least 35 lbs.). **Do not use plastic outlet boxes.**

WARNING

TO REDUCE THE RISK OF FIRE, ELECTRIC SHOCK, OR OTHER PERSONAL INJURY, MOUNT FAN ONLY TO AN OUTLET BOX MARKED ACCEPTABLE FOR FAN SUPPORT AND USE THE MOUNTING SCREWS PROVIDED WITH THE OUTLET BOX. OUTLET BOXES COMMONLY USED FOR THE SUPPORT OF LIGHTING FIXTURES MAY NOT BE ACCEPTABLE FOR FAN SUPPORT AND MAY NEED TO BE REPLACED. CONSULT A QUALIFIED ELECTRICIAN IF IN DOUBT.

Figures 1, 2, and 3 are examples of different ways to mount the outlet box.

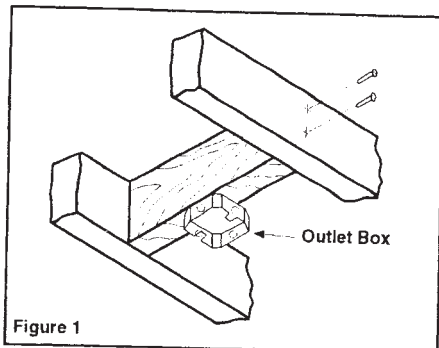


Figure 1

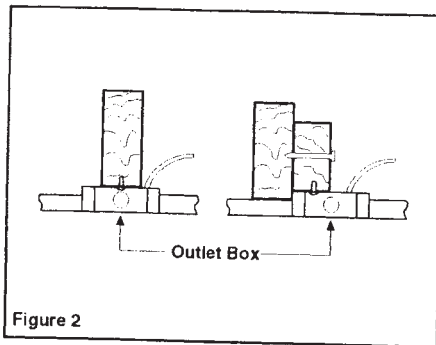


Figure 2

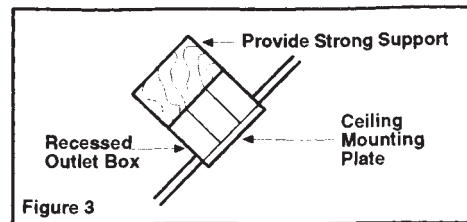


Figure 3

Note: You may need a longer down-rod to maintain proper blade clearance when installing on a steep, sloped ceiling. **The maximum angle allowable is 30°** If the canopy touches downrod, remove the decorative canopy bottom cover and turn the canopy 180° before attaching the canopy to the mounting plate.

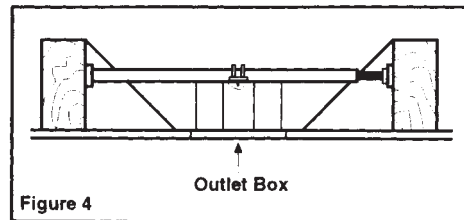


Figure 4

To hang your fan where there is an existing fixture but no ceiling joist, you may need an installation hanger bar as shown in Figure 4.

3. Installing Your Fan

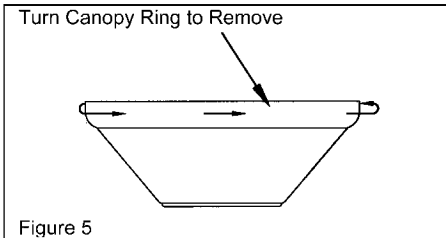
Hanging the Fan

REMEMBER to turn off the power. Follow the steps below to hang your fan properly.

NOTE: This fan is recommended for the standard ceiling mounting using the downrod provided with this fan. When using standard ceiling installation with an 6 inch downrod provided, the distance from the ceiling to the bottom of the fan blades will be approximately 10 inches.

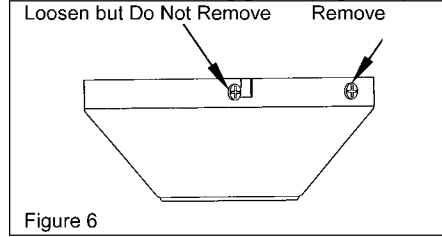
STANDARD CEILING MOUNTING

1. Remove the canopy ring from the canopy by turning the ring to the left until it unlocks (Figure 5).



2. Remove the mounting plate from the canopy by loosening the four screws on the top of the canopy. Remove the two non-slotted screws and loosen the slotted screws. This will enable you to

remove the mounting plate (Figure 6).



3. Route the wires exiting the top of the fan motor through the decorative motor collar cover then the canopy ring. Make sure the slot openings are on top. Route the wires through the canopy and then through the ball/downrod assembly (Figure 7).

4. Loosen, but do not remove, the set screws on the collar on the top of the motor housing.

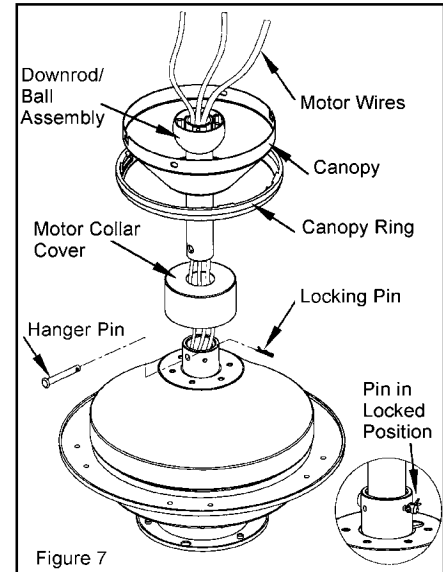
5. Align the holes at the bottom of the downrod with holes in the collar on top of the motor housing (Figure 7). Carefully insert the hanger pin through the holes in the collar and downrod. Be careful not to jam the pin against the wiring inside the downrod. Insert the locking pin through the hole near the end of the hanger pin until it snaps into its locked position.

6. Re-tighten the set screws on the collar on the top of the motor housing.

WARNING
FAILURE TO PROPERLY INSTALL SET SCREWS IN STEP 6 COULD RESULT IN FAN LOOSENING AND POSSIBLY FALLING.

7. Make sure the grommet is properly installed in the collar cover, then slide the collar cover on the downrod until it rests on the motor housing. Be sure that the canopy and the collar cover are both oriented correctly.

8. Proceed to "Installing the Fan" section.



Installing Fan to the Electrical Box

CAUTION

WHEN MOUNTING THE FAN ON A SLOPED CEILING, THE STANDARD BALL/DOWNROD MOUNTING METHOD MUST BE USED. THE MOUNTING PLATE MUST BE MOUNTED SO THAT THE SLOT OPENINGS ARE ON THE LOWER SIDE BY SLIDING THE MOUNTING PLATE FROM THE TOP DOWN

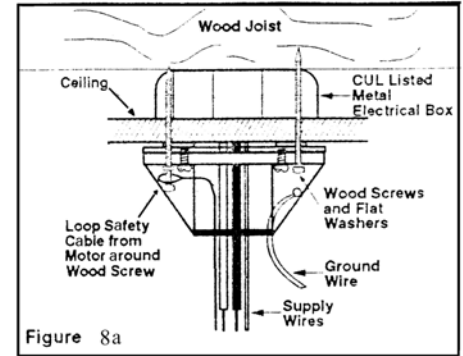
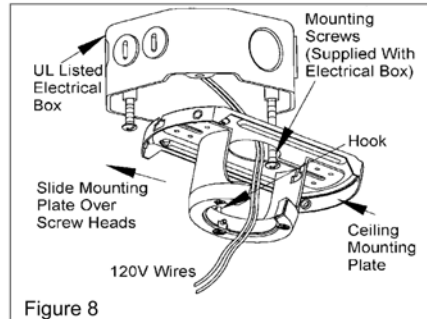
1. Pass the 120-volt supply wires through the center hole in the ceiling mounting plate as shown in Figure 8.
2. Install the ceiling mounting plate on the electrical box by sliding the mounting screws provided with the outlet box (Figure 8). If necessary, use leveling washers (not included) between the mounting plate and the electrical box. Note that the flat side of the mounting plate is toward the electrical box (Figure 8).
3. Securely tighten the two mounting screws.
4. For additional security, install two wood screws with flat washers (not included) through outer slots in mounting plate and into wooden joist. Note: Leave one wood screw untightened to attach safety cable from motor.

5.

5. Carefully lift the fan assembly up to the ceiling mounting plate. Make sure the tab on the mounting plate is properly seated in the groove in the hanger ball.

Connecting the Safety Cable

1. Place the looped end of the safety cable around the untightened wood screw as shown in Figure 8a.
2. Tighten the wood screw securing the safety cable.



Making the Electrical Connections

REMEMBER to disconnect the power. If you feel that you do not have enough electrical wiring knowledge or experience, have your fan installed by a licensed electrician.

Follow the steps below to connect the fan to your household wiring. Use the wire connecting nuts supplied with your fan and supplied with remote control. Secure the connectors with electrical tape. Make sure there are no loose strands or connections (Figure 9).

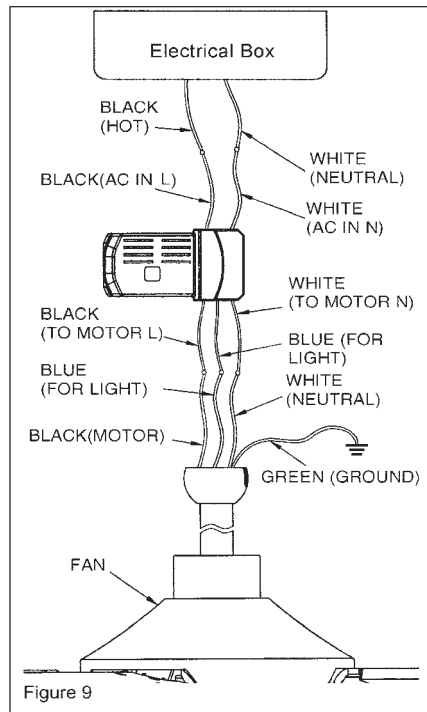
Note: This remote control unit is equipped with 16 code combinations to prevent possible interference from or to other remote units.

The frequencies on your receiver and transmitter have been preset at the factory, before installing the receiver, make sure the dip switches on the

1. Insert the receiver into the ceiling mounting plate with the flat side of the receiver facing the ceiling.
2. Connect both green wires from the downrod and mounting plate to the bare copper (Ground) from the electrical box.
3. Connect the black wire (AC IN L) from the receiver unit to the black wire from the electrical box.
4. Connect the white wire (AC IN N) from the receiver unit to the white wire from the electrical box.
5. Connect the white wire (To Motor N) from the receiver unit to the white wire from the fan assembly.
6. Connect the black wire (To Motor L) from the receiver unit to the black wire from the fan assembly.
7. Connect the blue wire (For Light) from the receiver unit to the blue wire from the fan.

After wires are connected, carefully tuck them into the electrical box. Insert the receiver unit into the mounting plate; make sure the black antenna wire sits on top of the receiver unit.

WARNING
EACH WIRE NUT (WIRE CONNECTOR) SUPPLIED WITH THIS FAN IS DESIGNED TO ACCEPT UP TO ONE 12 GAUGE HOUSE WIRE AND TWO WIRES FROM THE FAN. IF YOU HAVE LARGER THAN 12 GAUGE HOUSE WIRING OR MORE THAN ONE HOUSE WIRE TO CONNECT TO THE FAN WIRING, CONSULT AN ELECTRICIAN FOR THE PROPER SIZE WIRE NUTS TO USE.



Finishing the Fan Installation

STANDARD CEILING MOUNTING

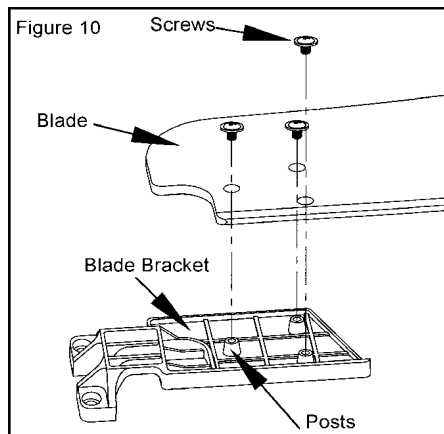
WARNING
WHEN USING THE STANDARD BALL/DOWNROD MOUNTING, THE TAB IN THE RING AT THE BOTTOM OF THE MOUNTING PLATE MUST REST IN THE GROOVE OF THE HANGER BALL. FAILURE TO PROPERLY SEAT THE TAB IN THE GROOVE COULD CAUSE DAMAGE TO WIRING.

1. Align the locking slots of the ceiling canopy with the two screws in the mounting plate. Push up to engage the slots and turn clockwise to lock in place. Immediately tighten the two mounting screws firmly.
2. Install the remaining two mounting screws into the holes in the canopy and tighten firmly.
3. Install the decorative canopy ring by aligning the ring's slots with the screws in the canopy. Rotate the ring counter-clockwise to lock in place.
4. You may now proceed to attaching the fan blades.

Attaching the Fan Blades

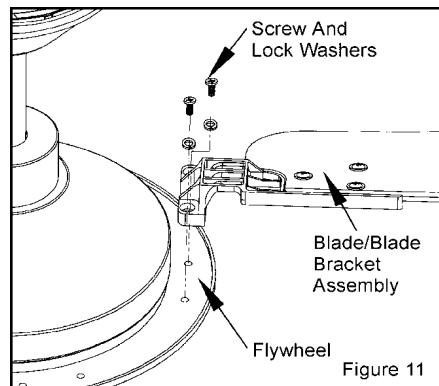
1. Align the three screw holes in the blade with the three posts on the blade bracket.

Place the blade over the three posts of the blade bracket and secure with washer head screws supplied (Figure 10).



2. Tighten each screw securely.
3. Align the two screw holes in the blade bracket with the screw holes in the flywheel of the motor assembly and secure with screws and lockwashers provided (Figure 11).
4. Repeat steps 1, 2, & 3 for the

remaining blades.



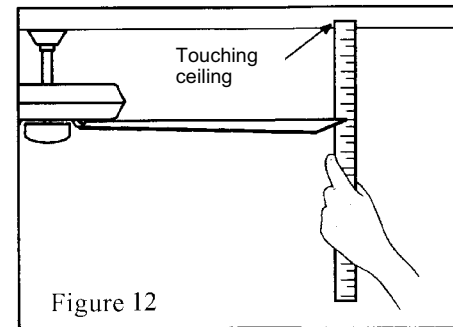
All blades are grouped by weight. Because natural woods vary in density, the fan may wobble even though the blades are weight matched.

The following procedure should correct most fan wobble. Check after each step.

1. Check that all blade and blade bracket screws are secure.
2. Most fan wobble problems are caused when blade levels are unequal. Check this level by selecting a point on the ceiling above the tip of one of the blades. Measure from a point on the center of each blade to the point on the ceiling. Measure this distance as shown

in Figure 12. Rotate the fan until the next blade is positioned for measurement. Repeat for each blade. Measurements deviation should be within 1/8". Run the fan for 10 minutes.

3. Use the enclosed Blade Balancing Kit if the blade wobble is still noticeable.

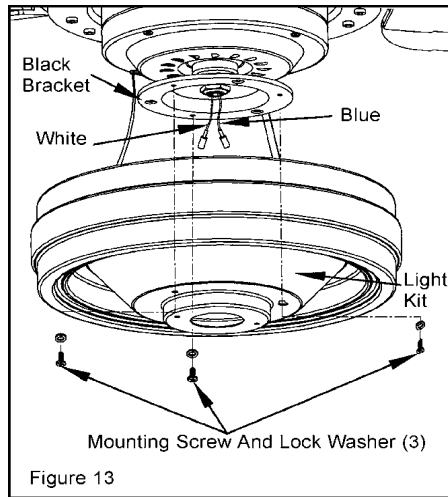


WARNING
TO REDUCE THE RISK OF PERSONAL INJURY, DO NOT BEND THE BLADE HOLDERS WHILE INSTALLING, BALANCING THE BLADES, OR CLEANING THE FAN. DO NOT INSERT FOREIGN OBJECTS BETWEEN ROTATING FAN BLADES.

Installing the Light Kit / Glass Bowl

CAUTION- To reduce the risk of electrical shock, disconnect the electrical supply circuit to the fan before installing light kit.

1. Remove the three mounting screws and lockwashers on the black bracket below the fan motor (Figure 13).



2. Route the Blue wire and White wire from the fan motor through the center hole in the light kit.

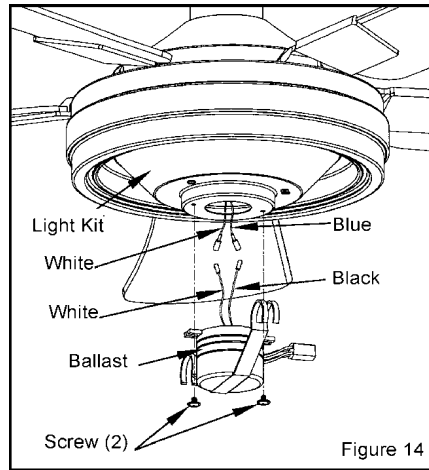
3. Secure the light kit to the black bracket using the three screws and

lockwashers that were removed in step 1.

4. Connect the Blue wire from the fan motor to the Black wire from the ballast by connecting the molded adaptor plug; connect the White wire from the fan motor to the White wire from the ballast by connecting the molded adaptor plug.

5. Remove the two screws on the light kit.

6. Install the ballast to the light kit using the two screws that were removed in step 5 (Figure 14).

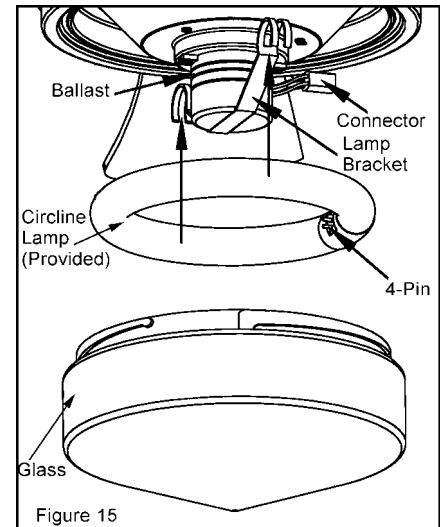


7. With power off, install the circline lamp (Max. 30W, provided) to the lamp bracket and engage the connector from the ballast with the 4-pins on the circline lamp, make sure they are engaged

properly (Figure 15).

8. Place the glass into the light kit, aligning the three flat areas on the top flange of the glass with the three raised dimples in the light kit. Turn the glass clockwise until it stops.

NOTE: PERIODICALLY CHECK THE GLASS SHADE IS SEATED FULLY CLOCKWISE IN THE LIGHT KIT FITTER.



NOTE

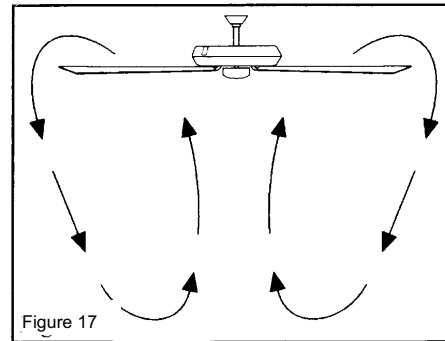
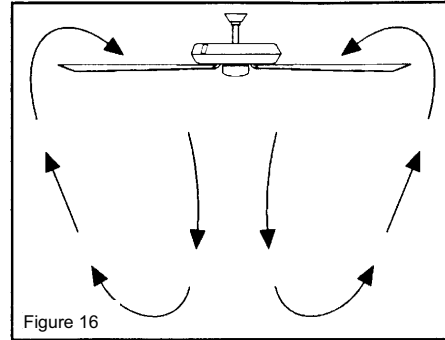
NOTE: DO NOT WAIT FOR THE FAN TO STOP TO PRESS THE REVERSE BUTTON. THE FAN WILL NOT REVERSE IF THE FAN IS NOT MOVING.

The hand unit controls directions (forward or reverse).

Speed settings for warm or cool weather depend on factors such as the room size, ceiling height, number of fans, and so on.

Warm weather- (Forward) A downward air flow creates a cooling effect as shown in Figure 16. This allows you to set your air conditioner on a higher setting without affecting your comfort.

Cool weather- (Reverse) An upward airflow moves warm air off the ceiling area as shown in Figure 17. This allows you to set your heating unit on a lower setting without affecting your comfort.



9. Operating Your Fan

CAUTION - This device complies with part 15 of the FCC rules. Operation is subject to the following two conditions. (1) This device may not cause harmful interference and (2) This device must accept any interference received, including interference that may cause undesired operation.

Transmitter Operation

NOTE: Be sure to install 4 fresh 1.5-volt batteries(not included)

★ **Fan-** Pressing this button steps through the various fan speeds "High", "Med.", "Low" and "Off". The fan speed is displayed on the LCD screen.

✿ **Light** - Pressing this button activates the light On and Off.

For/Rev- Reverses the fan's direction of rotation.

Timer °C / °F- Automatically turns the fan/ light off after a pre-selected amount of time. Press the Timer button followed by the Up and Down buttons to adjust the time delay before the fan/light turns off.

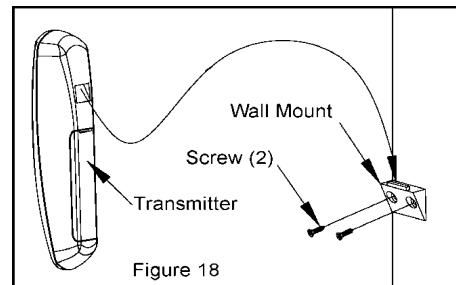
To select Fahrenheit or Celsius, press Timer button for at least 10 seconds.

Light Delay - Pressing this button activates the light delay function. The light will automatically shut off after 3 minutes.

Fan Auto and Temp./Set (Up and Down)

-Pressing the Fan Auto button places the fan in automatic fan control mode. In this mode the fan speed is automatically set on "High", "Med." Or "Low" speed depending upon the room temperature and the user selected temperature set point. Press the Temp Set Up and Down buttons to select the desired room temperature. If the room temperature is less than the set point then the fan turns off, if the room temperature is within 3 degree F over/or equal to the set point then the fan will be on "Low" speed. As the room temperature increases the fan will automatically switch to "Med" and then "High" speed. For every 4 degree F over the set temperature, the fan will switch to the next higher speed.

Wall Mount- Your remote control model comes with a holder included for the transmitter which can be mounted on a convenient location on a wall. (Figure 18). The holder will help prevent your transmitter from being misplaced. The remote control monitors the air temperature to automatically control the fan speed. Ideally local the control on an interior wall where it will accurately read the air temperature away from direct sun or other heat sources.



FAN AUTO MODE SET POINT EXAMPLE:

SET POINT	SUMMER		WINTER	
	72°	75°	78°	80°
OFF	72°	74°	77°	79°
LOW	72°-75°	75°-78°	78°-81°	80°-83°
MED	76°-79°	79°-82°	82°-85°	84°-87°
HI	80°+	83°+	86°+	88°+

10. Operating Your Remote Control

Transmitter Operation

Auto mode temperature setting
(Temp.at which fan turns on)

Low battery indicator

Fan speed indicator
(High,Medium,Low,Off)

Fan switch
(High,Medium,Low,Off)

Fan switch mode select
(Manual / Auto)

Set timer
(Fan;Light:Off)

Temperature / Timer set up

Room Temperature
(Degree)

Fan switch mode indicator
(Manual / Auto)

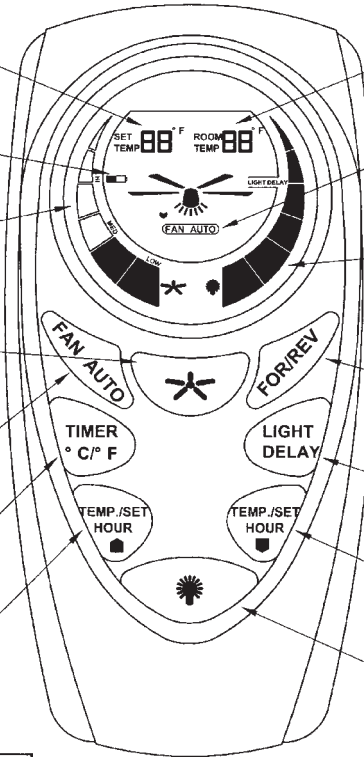
Lighting status indicator
(On / Off)

Air direction select
(Down - cooling;Up - heating)

Light delay
(Turn light on for 3 minutes)

Temperature / Timer set down

Lighting options



**RECOMMENDATION:
REPLACE THE BATTERIES AT LEAST
EVERY THREE MONTHS**

Here are some suggestions to help you maintain your fan.

1. Because of the fan's natural movement, some connections may become loose. **Check the support connections, brackets, and blade attachments twice a year.** Make sure they are secure. **(It is not necessary to remove fan from ceiling.)**

2. Clean your fan periodically to help maintain its new appearance over the years. Do not use water when cleaning. Use only a soft brush or lint-free cloth to avoid scratching the finish. The plating is sealed with a lacquer to minimize discoloration or tarnishing. This could damage the motor, or the wood or possibly cause an electrical shock.

3. You can apply a light coat of furniture polish to the wood for additional protection and enhanced beauty. Cover small scratches with a light application of shoe polish.

4. **There is no need to oil your fan.** The motor has permanently lubricated sealed ball bearings.

WARNING

MAKE SURE THE POWER IS OFF AT THE ELECTRICAL PANEL BOX BEFORE YOU ATTEMPT ANY REPAIRS. REFER TO THE SECTION, "MAKING ELECTRICAL CONNECTIONS."

12. Care of Your Fan

Problem

Fan will not start.

Solution

1. Check main and branch circuit fuses or breakers.
2. Check line wire connections to the fan and switch wire connections in the switch housing.
CAUTION: Make sure main power is off.
3. Check battery in the transmitter. Does the liquid crystal display (LCD) activate and is the low battery light lit? Are you standing close enough to the fan (normal range is 10-20 feet)? Are the dip switch settings the same on the transmitter (hand unit) and receiver? **REMEMBER TO TURN OFF POWER SUPPLY BEFORE CHECKING THE DIP SWITCH SETTINGS IN RECEIVER. Batteries should be changed every three months or as needed.**

Fan sounds noisy.

1. Make sure all motor housing screws are snug.
2. Make sure the screws that attach the fan blade bracket to the motor hub are tight.
3. Make sure wire nut connections are not rattling against each other or the interior wall of the switch housing.
CAUTION: Make sure main power is off.
4. Allow a 24-hour "breaking-in" period. Most noises associated with a new fan disappear during this time.
5. If using the Ceiling Fan light kit, make sure the screws securing the glassware are tight. Check that the light bulb is also secure.
6. Make sure the canopy is a short distance from the ceiling.
It should not touch the ceiling.
7. Make sure your ceiling box is secure and rubber isolator pads were used between the hanger bracket and ceiling box.

Troubleshooting 13.

FAN SIZE	FAN SPEED	VOLTS	AIRFLOW CFM	FAN POWER CONSUMPTION (WITHOUT LIGHTS) WATT	AIRFLOW EFFICIENCY (HIGHER IS BETTER) CFM/WATT	N.W.	G.W.	C.F.
54"	Low	120	1829	10	179	27.1 Lbs	30.4 Lbs	2.14
	Med	120	3929	31	128			
	High	120	7232	80	90			



These are approximate measures. They do not include Amps and Wattage used by the light kit.

14. Specifications